



# EH4700 Series Enclosure

## OUTDOOR, MEDIUM

### Product Features

- Designed for Indoor/Outdoor Applications; For Use with Fixed Mount or Pan/Tilt
- Die-Cast and Extruded Aluminum Construction
- Gas-Spring-Assisted Forward-Opening Lid
- Cable Entry Glands and Mounting Holes Located on Bottom of Enclosure
- Special Options Include 120 VAC Outlet and Preset Lens Wiring Harness



EH4718



ENCLOSURE WITH SUN SHROUD

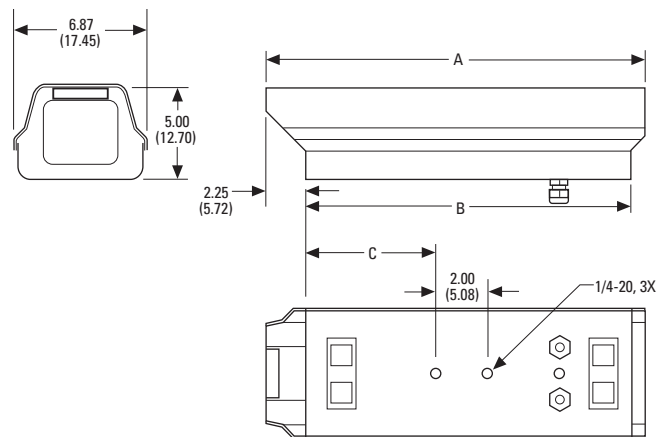
The **EH4700 Series** are indoor/outdoor enclosures constructed from die cast and extruded aluminum. They are available in 18-inch (45.72 cm) (**EH4718**) or 22-inch (55.88 cm) (**EH4722**) lengths.

The **EH4700 Series** is designed to accept larger format cameras with either fixed focal length lenses or motorized zoom lenses. The camera sled is removable and can be inverted to accommodate various camera and lens combinations.

The enclosure opens from the rear by unlatching the rear-mount, link-lock latch. The forward-opening lid allows for maximum accessibility during installation/servicing and can be removed, if necessary. A unique gas spring securely holds the lid when fully opened. If desired, the link-lock latch can be secured with a padlock of suitable size for additional security.

The **EH4700 Series** is available with a full complement of factory- and field-installed accessories which include blower, heater, window defroster, sun shroud, thermal insulation, 120 VAC electrical outlet, and preset position lens wiring harness.

The **EH4700 Series** can be used in fixed mount applications or mounted to a medium duty pan/tilt, such as our PT570 Series.



	DIM.	MODEL
A	21.2 (53.84)	EH4718
	25.2 (64.00)	EH4722
B	18.3 (46.48)	EH4718
	22.3 (56.64)	EH4722
C	7.00 (17.78)	EH4718
	9.00 (22.86)	EH4722

NOTE: VALUES IN PARENTHESES ARE CENTIMETERS; ALL OTHERS ARE INCHES.

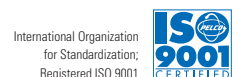


DataFAX  
SPEC: 21405  
MANUAL: 214056

C1405 / REVISED 10-02



U.S. Patent #307,915



International Organization  
for Standardization;  
Registered ISO 9001

# TECHNICAL SPECIFICATIONS

## MODELS

Model Number	Basic Enclosure	120 VAC	24 VAC	230 VAC	Heater	Defroster	Blower	Max. Power Consumption*
EH4718	•							
EH4718-1		•			•		•	68W
EH4718-2			•		•		•	58W
EH4718-3				•	•		•	63W
EH4722	•							
EH4722-1		•			•		•	68W
EH4722-2			•		•		•	58W
EH4722-3				•	•		•	63W

\*If optional defroster is used, add 15W to consumption.

## MECHANICAL

Cable Entry	Two PG13.5 compression glands on bottom; 0.47-inch (1.19 cm) maximum cable diameter
Cable Entry Holes	0.875-inch (2.22 cm) diameter; will accept 0.5-inch (1.27 cm) conduit fitting when compression gland is removed
Camera Mounting	Removable camera sled; can be inverted
Rear Latch	Link-lock, No. 3, stainless steel; can be secured with padlock (not supplied)

## ELECTRICAL

Input Voltage	24 VAC, 120 VAC or 230 VAC, 50/60Hz.
Electrical Connection	Connectors for power input, lens, camera, and accessories (-1/-2/-3 models only).
<i>(-1/-2/-3 models only)</i>	Heater/defroster activates on at 42-58°F (6-14°C) and off at 72-88°F (22-31°C). Blower activates on at 77-93°F (25-34°C) and off at 62-78°F (17-26°C).

## GENERAL

Maximum Camera and Lens Size	Accepts camera and lens combinations* (including BNC connector) up to:	
EH4718	17.0" L x 5.5" W x 4.25" H (43.18 x 13.97 x 10.795 cm)	
EH4718-1/-2/-3	13.0" L x 4.75" W x 4.25" H (33.02 x 12.07 x 10.795 cm)	
EH4722	21.0" L x 5.5" W x 4.25" H (53.34 x 13.97 x 10.795 cm)	
EH4722-1/-2/-3	17.0" L x 4.75" W x 4.25" H (43.18 x 12.07 x 10.795 cm)	
Viewing Window	0.25-inch (6.35 mm) thick Lexan®	
Viewing Window Area	3.50" H x 4.00" W (8.89 x 10.16 cm)	
Construction	Die-cast, extruded, and sheet aluminum	
Finish	Gray polyester powder coat	
Environment	Indoor/outdoor; -10° to 120°F (-23° to 49°C)	
Weight	Unit	Shipping
EH4718	7.25 lb (3.28 kg)	9 lb (4.07 kg)
EH4718-1/-2/-3	8.5 lb (3.85 kg)	10 lb (4.53 kg)
EH4722	8.5 lb (3.85 kg)	10 lb (4.53 kg)
EH4722-1/-2/-3	9.75 lb (4.42 kg)	12 lb (5.44 kg)

\*Assumes lens is fully extended.

## CERTIFICATIONS/RATINGS

- CE compliant (models EH4718/-2/-3 and EH4722/-2/-3 only)
- UL Listed (except 230 VAC models)
- Meets NEMA Type 3R standards

## OPTIONAL ACCESSORIES

<b>Blower Kit</b>	BK47-1*	120 VAC, 8W
	BK47-2*	24 VAC, 8W
	BK47-3*	230 VAC, 8W
<b>Heater Kit</b>	HK47-1*	120 VAC, 60W
	HK47-2*	24 VAC, 50W
	HK47-3*	230 VAC, 55W
<b>Defroster</b>	WD47-1*	Window defroster, 120 VAC, 15W
	WD47-2*	Window defroster, 24 VAC, 15W
	WD47-3*	Window defroster, 230 VAC, 15W
<b>Sun Shroud</b>	SS4718	Sun shroud for EH4718 series enclosures
	SS4722	Sun shroud for EH4722 series enclosures
<b>Other</b>	O/I-PCB	Accessory interface board; thermostatically controls heater, blower, and defroster operation (one per enclosure required)
	O/I-LPP*	Preset position lens wiring harness
	O/I-OUTLET*	120 VAC electrical convenience outlet
	T147	Thermal insulation

\*These accessories are factory wired with a plug-in connector for use with the O/I-PCB. The O/I-PCB is included with all -1/-2/-3 models. You must order one O/I-PCB if you are using a basic enclosure (EH4718 or EH4722) with these optional accessories.

## RECOMMENDED MOUNTS

<b>Pedestal</b>	EM1009U,	Medium duty pedestal mount; maximum load 40 lb (18.14 kg)
	EM1015U	
	MM22	Medium duty pedestal mount; maximum load 40 lb (18.14 kg)
<b>Wall</b>	PM2000/PM2010**	Pedestal mounts; maximum load 125 lb (56.63 kg)
	EM1900U	Medium duty wall mount; maximum load 40 lb (18.14 kg)
	EM22	Medium duty wall mount; maximum load 40 lb (18.14 kg)
<b>Pipe/Pole</b>	WM2000**	Universal wall mount; maximum load 75 lb (33.97 kg)
	EM1109	Medium duty pedestal mount for pipe/pole; maximum load 40 lb (18.14 kg)
<b>Adapter</b>	EM2000, EM2200	Medium duty mount for pipe/pole applications; maximum load 40 lb (18.14 kg).
	AH1000	Manually adjustable pan/tilt head

\*\*Use with AH1000 adjustable head.

## RECOMMENDED PAN/TILT

PT570 Series	Medium duty pan/tilt, 120 or 24 VAC; maximum load 40 lb (18.14 kg)
--------------	--



### Pelco Worldwide Headquarters:

3500 Pelco Way, Clovis, California 93612-5699 USA

**USA & Canada** Tel: (800) 289-9100 • FAX (800) 289-9150 • DataFAX (800) 289-9108

**International** Tel: (559) 292-1981 • FAX (559) 348-1120 • DataFAX (559) 292-0435

[www.pelco.com](http://www.pelco.com)

Lexan® is a registered trademark of the General Electric Company. Specifications subject to change without notice. ©Copyright 2002, Pelco. All rights reserved.